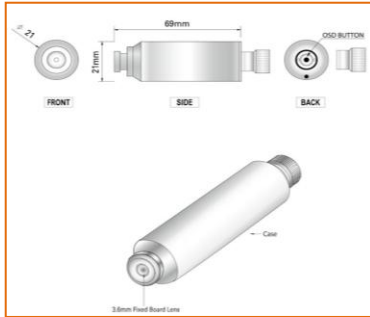


HD-H014B

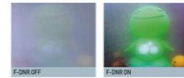
General Features

- * 1/3" Sony Super HAD CCD
- * 620TV Line (Color), 700TV Line (B/W)
- * Digital Wide Dynamic Range
- * 0.00001Lux (HSBLC)(OSD)



F-DNR(Defog Function)

F-DNR function improves the clarity of images taken in poor conditions such as fog, smoke, rain or snow.



HSBLC(Highlight Suppression Back Light Compensation)

Exposure balance Control (EC) will darken selected highlights and brighten dark portions, in the picture, the number on the car plate can be seen clearly (White Day/Black).



Smart-IR

No Saturation Image, Vivid Image in darkness! HDPRO "Smart IR" camera makes very clear video image in darkness! This technology eliminates saturation of video image of the closer object in darkness by control of the IR sensitivity. Saturation never happens in our "Smart IR" camera, you can enjoy real images in dark condition!



Low Illumination

With an incredibly minimum illumination of amazing 0.0001Lux can capture good images even in extremely low light conditions and related noise are significantly reduced by the ultra advanced DNR(Digital Noise Reduction) technology.



Smart 3D DNR

Smart 3D DNR prevents the image blurring of moving object and activates only if moving objects are appearing on the scene.



DIS(Digital Image Stabilizer) Function

DIS Function makes stabilizing clearer and the highest resolution picture when out of focus by the wind or climate changing.



SPECIFICATIONS

MODEL

HDPRO HD-H014B

Image Pick-Up Device	1/3" Sony Super HAD CCD
TV System	NTSC, PAL
Total Pixels	NTSC=1020(H) * 508(V) / PAL=1020(H) * 596(V)
Effective Pixels	NTSC=976(H) * 494(V) / PAL=976(H) * 582(V)
Scanning System	2:1 Interlace
Synchronization	Internal
O.S.D	Available
Backlight	OFF / HSBLC / BLC Selectable
Resolution	620 TV Lines (Color), 700TV Lines (B/W)
S/N (Y signal)	52dB
Min. Illumination	0.00001Lux
White Balance	ATW / AWB / Manual / AWC >SET
Electronic Shutter Speed	AUTO (1/50sec, 1/60sec ~ 1/100,000sec)
Sense-Up	Off / Auto(x2~x256)
Gain Control	High, Middle, Low, Off Selectable
3 DNR	3D-DNR(1~200 Level Adjustable)
D-WDR	Indoor / Outdoor / Off
Motion Detection	On / Off (4 Zones)
Privacy	On / Off (8 Zones)
Mirror	Off / Mirror / V-Rev / Rotate
Freeze	On / Off
Sharpness	0~31'(Level Adjustable)
D&N Selection	Color / BW / Auto/ EXT
Digital Zoom	On / Off(x1~x32)
DIS (Digital Image Stabilization)	On / Off
Power Supply	DC 12V
Power Consumption	120mA
Lens	3.6mm Fixed Board Lens
Operational Temp.	-10 ~ +50 Deg C. RH 95% Max.
Storage Temp.	-20 ~ +60 Deg C. RH 95% Max.
Dimension	21mm(W) * 21mm(H) * 69mm(D)
Weight	80g